



**GETZ EQUIPMENT INNOVATORS**  
**PART NO.: 4G58918**  
**MODEL: AP 303 FH TRIPLE**  
**HOSE TESTER**  
**(Revised 4/26/19)**



2320 Lakecrest Drive, Pekin, Illinois 61554  
Telephone: 888-747-4389 Fax: 309-495-0625  
Website: [www.getzequipment.com](http://www.getzequipment.com)

## Limited Warranty

Products manufactured by Getz Equipment Innovators (with exception of electrical products or components) will be free from defects for a period of one year from shipment date. Electrical products and/or components used in manufactured products will have a (6) month warranty from shipment date. During the warranty period, customers who experience any manufacture-related service issues with our products, the product may be returned for repair or replacement. Customer must contact Getz Equipment for approval prior to any product return. Notwithstanding the foregoing, the limited warranty set forth shall be immediately void of customer uses any replacement parts other than those provided by Getz Equipment Innovators. The warranty does not cover normal wear and tear items, defects resulting from modification, alteration, misuse, exposure to corrosive conditions, extremely high temperatures, improper installation or maintenance. Warranties on component items not manufactured by Getz Equipment Innovators are provided by others whose warranty, evaluation and judgment will be final.

All implied warranties, including, but not limited to, warranties of fitness for purpose and merchantability, are limited to the time periods as stated above. In no event shall Getz Equipment Innovators be liable to incidental or consequential damages. Some states do not allow limitations on how long an implied warranty lasts or the exclusions or limitation of incidental or consequential damages, so that the above limitations or exclusions may not apply to you. Getz Equipment Innovators neither assumes nor authorizes any representative or other person to assume for it any obligation or liability other than as expressly set forth herein.

### **Mobile Service Vehicles:**

The warranty does not cover:

- Defects in the chassis and or power unit
- Defects in separately manufactured products not produced by Getz Equipment Innovators
- Deterioration due to normal wear, tear, and exposure
- Repairs made necessary by negligent use, misuse, abuse, loading the service vehicle beyond its gross vehicle weight limitations, accident, acts of God, or other contingencies beyond the control of Getz Equipment Innovators.
- Repairs deemed necessary by reason of the failure to follow ordinary maintenance procedures.
- Repairs deemed necessary by reason of alterations done without Getz Equipment Innovators' written approval.

Warranty Service:

- All warranty repairs will be performed by Getz Equipment Innovators in Pekin, IL, unless otherwise authorized by Getz Equipment Innovators.

Freight:

- Getz Equipment Innovators will not be liable for shipping or transportation charges to or from customer's location.

This warranty gives you specific legal rights, and you may also have other rights which vary from state to state. To obtain performance to the obligation of the warranty, write to Getz Equipment Innovators, 2320 Lakecrest Drive, Pekin IL 61554, USA for instructions.

**THE GETZ AIR HYDROTEST PUMP  
OPERATION AND PARTS MANUAL  
MODEL #AP-303-FH**

**TABLE OF CONTENTS**

**PAGE #**

|         |                                 |
|---------|---------------------------------|
| 1 ..... | OPERATING REQUIREMENTS          |
| 2 ..... | SET-UP & OPERATING INSTRUCTIONS |
| 3 ..... | OPERATION DIAGRAM               |
| 4 ..... | PLAN VIEW PRINT                 |
| 5 ..... | ELEVATION VIEW PRINT            |
| 6 ..... | PART NUMBER LIST                |
| 7 ..... | CAPS AND PLUGS                  |

## OPERATING REQUIREMENTS

### MOTIVE POWER SOURCE

1. AIR COMPRESSOR PRODUCING LOW PRESSURE AIR
2. AIR REQUIREMENT - 60-70 P.S.I. AT 30-35 CUBIC FEET PER MINUTE

### MEDIA NEEDED FOR HYDROTESTING FIRE HOSES:

1. CLEAN WATER FROM A WATER SPICKET.
2. INCOMING AIR SUPPLY HOSE - 1/2" I.D. FLEXIBLE AIR HOSE - CUSTOMER SUPPLIED.

### INLET WATER SUPPLY HOSE:

3/4" I.D. GARDEN HOSE - CUSTOMER SUPPLIED

### OIL FOR INLINE OIL MIST LUBRICATOR:

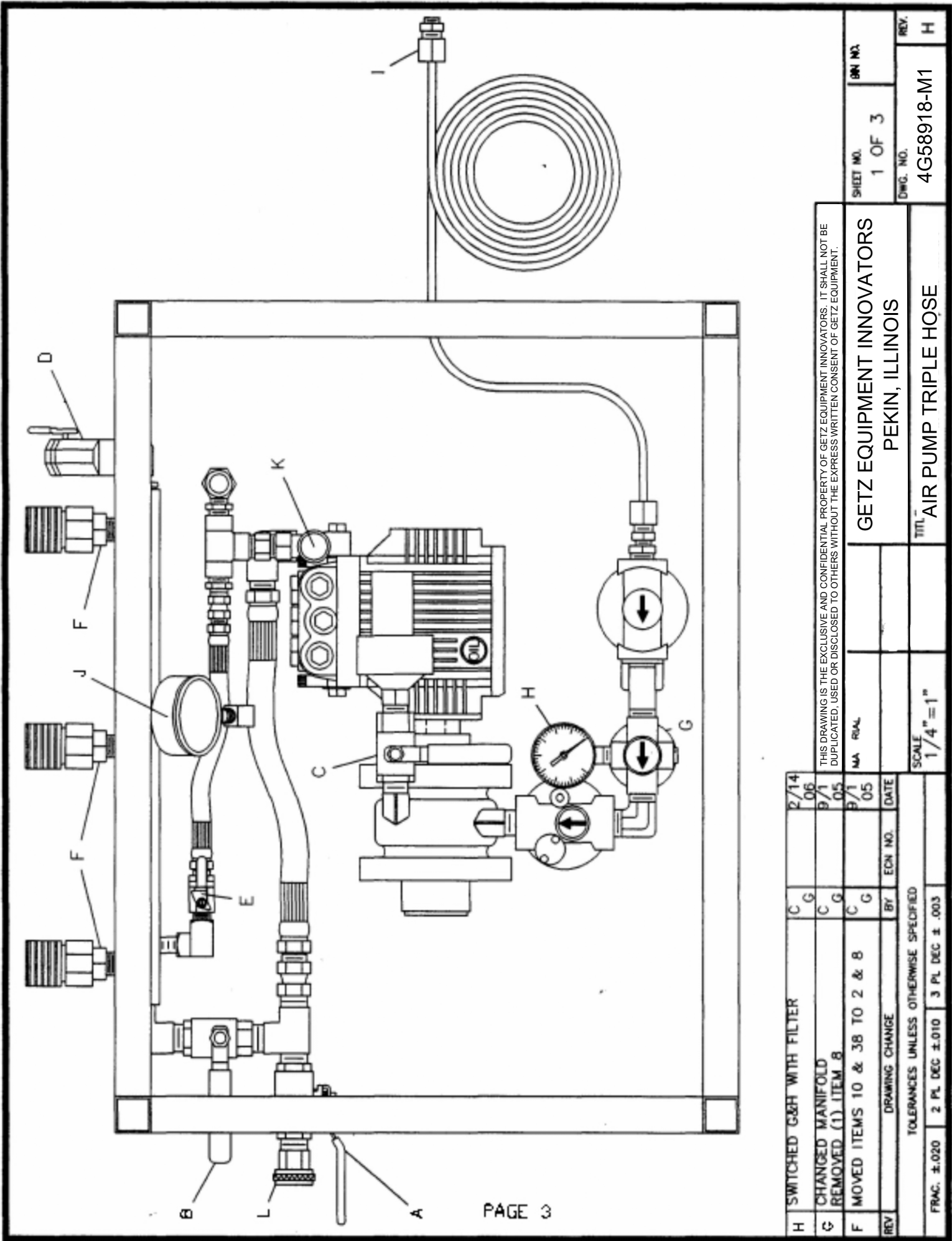
1. OIL TYPE - SAE #10 DETERGENT AUTOMOTIVE ENGINE OIL
2. GAST PART #AD220 LUBRICATOR OIL

### SAFETY EQUIPMENT REQUIRED:

SAFETY GLASSES

## **SET-UP & OPERATING INSTRUCTIONS**

1. Connect a garden hose to a clean water source. Open the water valve and purge the hose of any dirt and air. Connect the hose to the tester at swivel connection L.
2. Connect the tester inlet air line I, to your compressed air source.
3. All valves (A, B, C, D, and E) should be in the off/closed position.
4. Purge the tester of air by opening valves A, D, and E until only water (no air) is present at valve D. Close Valve E, open valve B and continue to purge until only water is present at valve D. Close valves D and B.
5. Set the test pressure by adjusting valve K. Clockwise to increase pressure and counter clockwise to decrease pressure. This unit is preset to 100 PSI from the factory. Open the air source to the tester. The regulator is preset from the factory to 60 PSI and shown on gauge H. Open valves E and C. Test pressure is shown on Gauge J. Slowly increase or decrease the pressure at valve K. When the test pressure is set, close valves C and A. Relieve the manifold pressure by opening valve D. When the pressure has been relieved close valve D.
6. Attach the hose caps to the hose to be tested. Roll the hoses out in a straight line to the tester and attach to the manifold at connection F. Open the valve on the hose cap, and open valves A and B. Purge the hose until only water is present at the ball valve. Close the cap ball valve and close valve B.
7. Begin testing by marking the hose fittings. Open valve E. Pressurize the hose by opening valve C. When the test pressure is reached, close valves E, C and A. Observe the pressure gauge J for five minutes for a drop in pressure. Relieve the pressure by opening valve D and open the cap valves to drain the water. Check the fittings for any movement. NFPA and all local, state and federal laws and regulations pertaining to hose testing should be strictly followed. Detach the hose and remove the fittings.
8. Shut the tester down by closing the inlet air and water to the tester. Open valves A and D to allow the water to drain. Remove the garden hose and air supply line. This tester must be stored in a warm area above freezing. Water left in the system can cause severe damage.

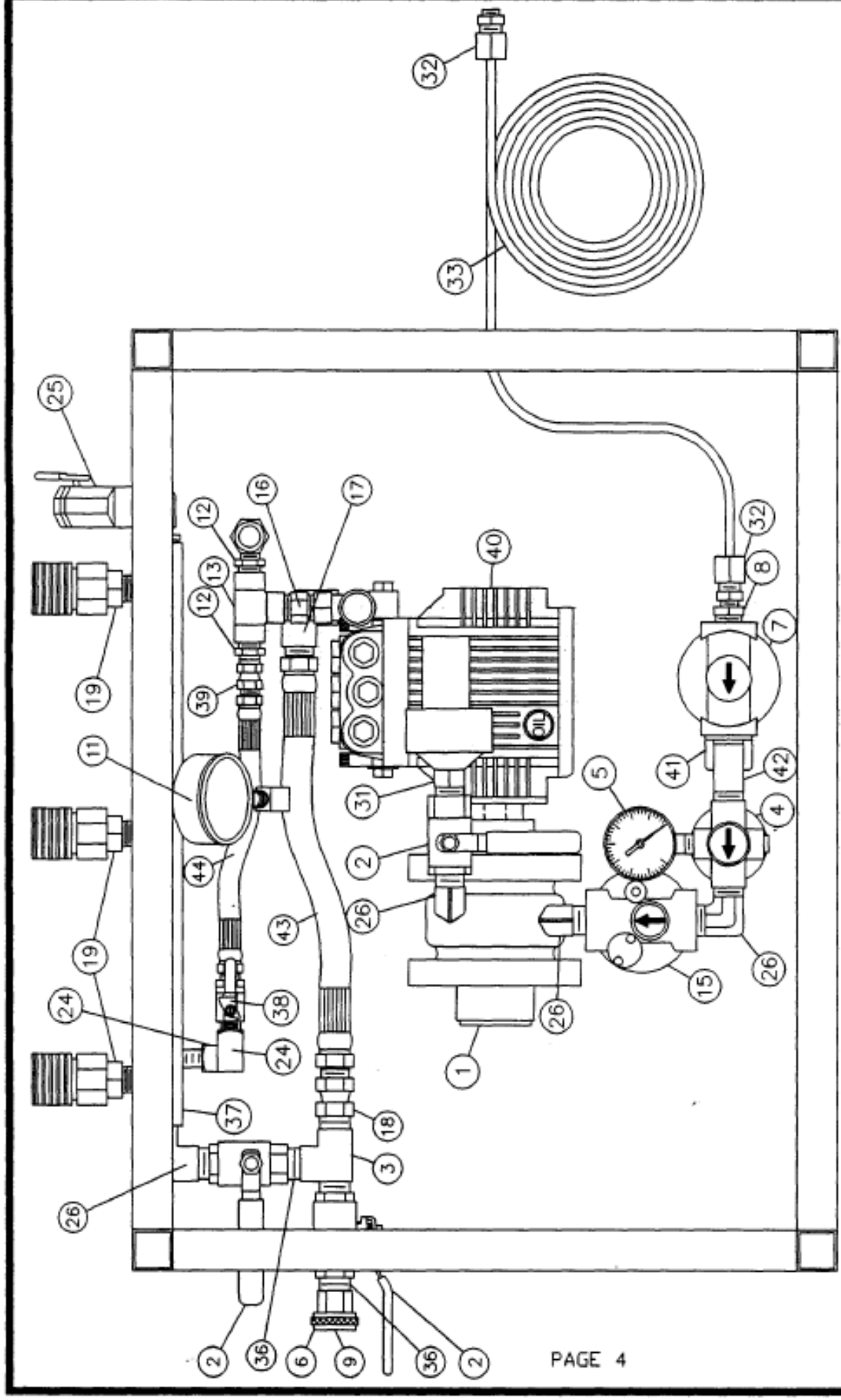


THIS DRAWING IS THE EXCLUSIVE AND CONFIDENTIAL PROPERTY OF GETZ EQUIPMENT INNOVATORS. IT SHALL NOT BE DUPLICATED, USED OR DISCLOSED TO OTHERS WITHOUT THE EXPRESS WRITTEN CONSENT OF GETZ EQUIPMENT.

GETZ EQUIPMENT INNOVATORS  
PEKIN, ILLINOIS

TITL. AIR PUMP TRIPLE HOSE

|                                       |         |         |           |      |           |
|---------------------------------------|---------|---------|-----------|------|-----------|
| REV                                   | DATE    | EDN NO. | BY        | MA   | REAL      |
| H                                     | 2/14/06 |         | C         | G    |           |
| G                                     | 9/1/05  |         | C         | G    |           |
| F                                     | 9/1/05  |         | C         | G    |           |
| DRAWING CHANGE                        |         |         |           |      |           |
| TOLERANCES UNLESS OTHERWISE SPECIFIED |         |         |           |      |           |
| FRAC.                                 | ±.020   | 2 PL    | DEC ±.010 | 3 PL | DEC ±.003 |
| SCALE 1/4" = 1"                       |         |         |           |      |           |
| SHEET NO. 1 OF 3                      |         |         |           |      |           |
| DWG. NO. 4G58918-M1                   |         |         |           |      |           |
| REV. H                                |         |         |           |      |           |



|                                       |                                     |      |           |      |           |
|---------------------------------------|-------------------------------------|------|-----------|------|-----------|
| I                                     | SWITCHED #7 & #4                    | C    | G         | 2/14 | 06        |
| H                                     | CHANGED #10 TO #25                  | C    | G         | 2/10 | 06        |
| G                                     | CHANGED MANIFOLD REMOVED (1) ITEM 8 | C    | G         | 9/1  | 05        |
| REV                                   | DRAWING CHANGE                      | BY   | ECN NO.   | DATE |           |
| TOLERANCES UNLESS OTHERWISE SPECIFIED |                                     |      |           |      |           |
| FRAC.                                 | ±.020                               | 2 PL | DEC ±.010 | 3 PL | DEC ±.003 |

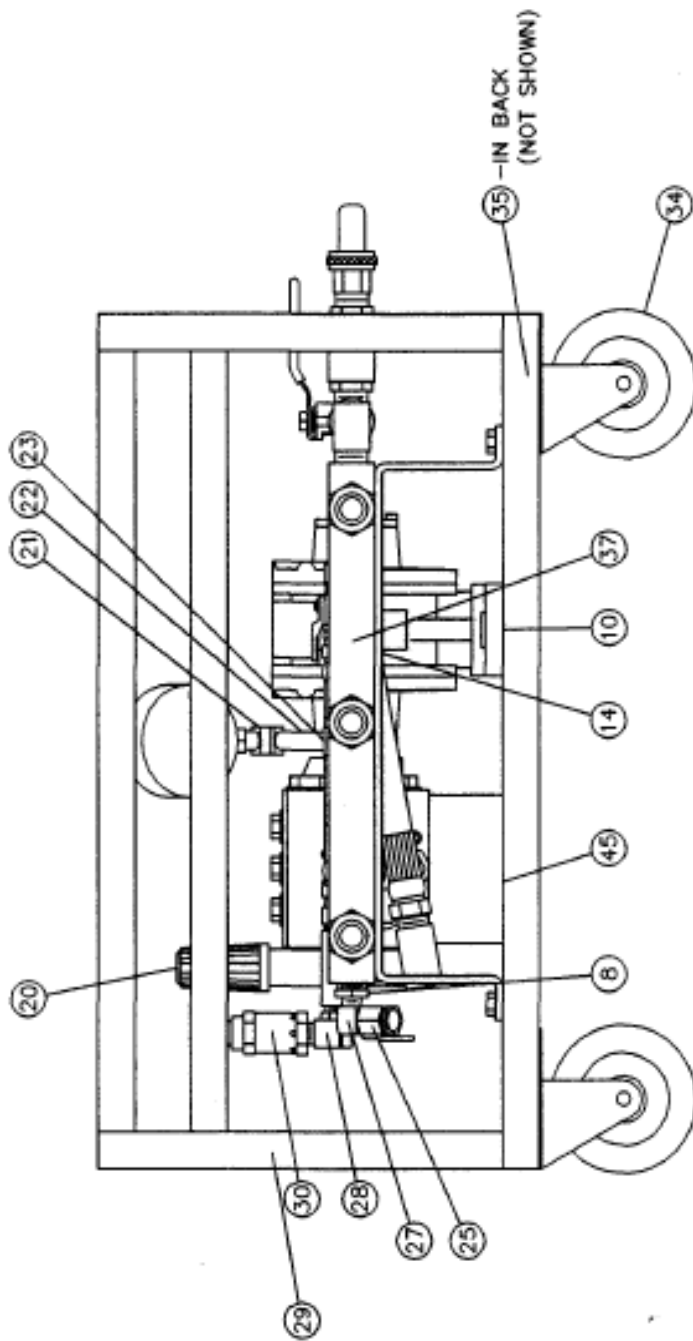
THIS DRAWING IS THE EXCLUSIVE AND CONFIDENTIAL PROPERTY OF GETZ EQUIPMENT INNOVATORS. IT SHALL NOT BE DUPLICATED, USED OR DISCLOSED TO OTHERS WITHOUT THE EXPRESS WRITTEN CONSENT OF GETZ EQUIPMENT.

GETZ EQUIPMENT INNOVATORS  
PEKIN, ILLINOIS

MATERIAL  
FINISH  
DATE  
SCALE  
1/4" = 1"

DATE  
4-3-92  
DATE  
R.L.R.  
DATE  
4-3-92

SHEET NO.  
1 OF 3  
DWG. NO.  
4G58918-M2  
REV.  
1



|                                       |                         |                |                |      |
|---------------------------------------|-------------------------|----------------|----------------|------|
| D                                     | CHANGED #39 & ADDED #41 | C              | G              | 4/22 |
| C                                     | OVERALL DRAWING CHANGE  | R              | M              | 5/76 |
| B                                     | REMOVED ITEM #3         | R              | M              | 04   |
| A                                     | ADDED ITEM #39          | R              | M              | 11/4 |
| REV                                   | DRAWING CHANGE          | BY             | ECN NO.        | DATE |
|                                       |                         |                |                | 94   |
| TOLERANCES UNLESS OTHERWISE SPECIFIED |                         |                |                |      |
| FRAC.                                 | ±.020                   | 2 PL DEC ±.010 | 3 PL DEC ±.003 |      |

THIS DRAWING IS THE EXCLUSIVE AND CONFIDENTIAL PROPERTY OF GETZ EQUIPMENT INNOVATORS. IT SHALL NOT BE DUPLICATED, USED OR DISCLOSED TO OTHERS WITHOUT THE EXPRESS WRITTEN CONSENT OF GETZ EQUIPMENT.

|  |                         |                |                |      |
|--|-------------------------|----------------|----------------|------|
| REV  |                         |                |                |      |
| A  | ADDED ITEM #39          | R              | M              | 11/4 |
| B  | REMOVED ITEM #3         | R              | M              | 04   |
| C  | OVERALL DRAWING CHANGE  | R              | M              | 5/76 |
| D  | CHANGED #39 & ADDED #41 | C              | G              | 4/22 |
| TOLERANCES UNLESS OTHERWISE SPECIFIED        |                         |                |                |      |
| FRAC.  | ±.020                   | 2 PL DEC ±.010 | 3 PL DEC ±.003 |      |
| SCALE  | 3/16" = 1"              |                |                |      |
| DATE   | 4-3-92                  |                |                |      |
| FINISH                                       | R.P.R.                  |                |                |      |
| GETZ EQUIPMENT INNOVATORS<br>PEKIN, ILLINOIS |                         |                |                |      |
| TITLE AIR PUMP TRIPLE HOSE                   |                         |                |                |      |
| DWG. NO.                                     | 4G58918-M3              |                |                |      |
| SHEET NO.                                    | 2 OF 3                  |                |                |      |
| REV.   | E                       |                |                |      |

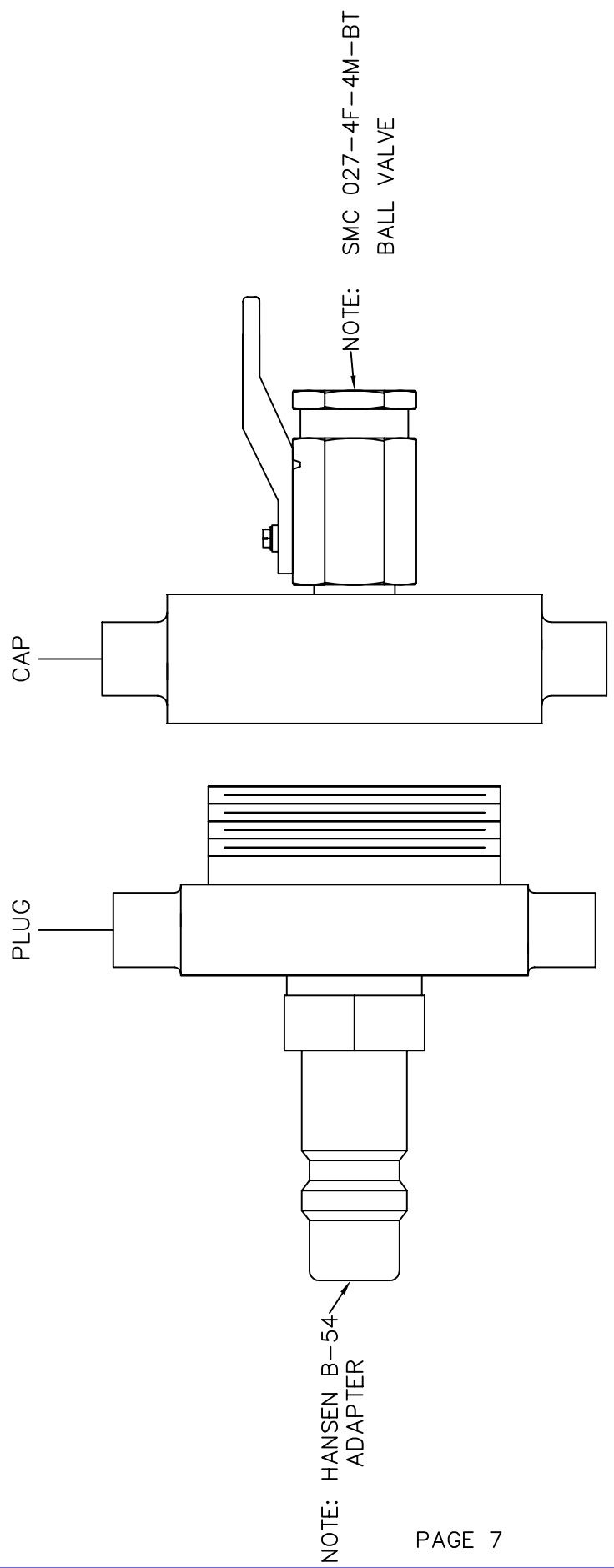


| #  | PART #  | DESCRIPTION                          | U/M | QTY | #  | PART #  | DESCRIPTION                              | U/M | QTY |
|----|---------|--------------------------------------|-----|-----|----|---------|--|-----|-----|
| 1  | 1G52188 | MOTOR AIR FOR AP 303 FH              | EA  | 1   | 24 | 1G51624 | PIPE ELB BR 1/4 ST                       | EA  | 2   |
| 2  | 1G0084  | VALVE BALL 1/2" BRASS                | EA  | 3   | 25 | 1G0042  | VALVE 1/4 TURN 1/4 MALE X 1/4 FMLE BRASS | EA  | 1   |
| 3  | 1G0102  | TEE BRASS STREET 1/2                 | EA  | 1   | 26 | 1G0077  | ELBOW BRASS 90 DEGREE 1/2 NPT            | EA  | 4   |
| 4  | 1G58737 | REG 866HE                            | EA  | 1   | 27 | 1G51624 | PIPE ELB BR 1/4 ST                       | EA  | 1   |
| 5  | 1G0064  | GAUGE DRY 0-160 PSI 1/4 BTM CONN     | EA  | 1   | 28 | 1G51624 | PIPE ELB BR 1/4 ST                       | EA  | 1   |
| 6  | 1G0309  | CONNECTOR BRASS GARDEN HOSE          | EA  | 1   | 29 | 1G51321 | FRAME HOSE HYDRO                         | EA  | 1   |
| 7  | 1G52189 | FLTR AIR FOR AIR MOTOR               | EA  | 1   | 30 | 1G0274  | RELIEF VALVE 850 PSI                     | EA  | 1   |
| 8  | 1G0103  | BUSHING BRASS REDUCIN 1/2 TO 1/4     | EA  | 2   | 31 | XXXXX   | AIR MUFFLER                              | EA  | 1   |
| 9  | 1G51948 | WASHER FILTER N 107                  | EA  | 1   | 32 | 1G0116  | CONNECTOR PLASTIC 3/8 TUBE X 1/4 MPT     | EA  | 2   |
| 10 | 1G53775 | PLATE ALUM MOTOR AIR                 | EA  | 1   | 33 | 1G0048  | TUBING POLY WHITE 1/4                    | FT  | 10  |
| 11 | 3G56190 | GAUGE 600PSI GLY BTM CALIBRATE       | EA  | 1   | 34 | 1G53592 | CASTER SWIVEL 4"                         | EA  | 2   |
| 12 | 1G51683 | PIPE RDCR BR 3/8 X 1/4               | EA  | 2   | 35 | 1G53593 | CASTER RIGID 4"                          | EA  | 2   |
| 13 | 1G51692 | PIPE TEE 3/8 NPT (2090)              | EA  | 1   | 36 | 1G0217  | NIPPLE 1/2" NPT BRASS CLOSE              | EA  | 2   |
| 14 | 1G51125 | BRACKET MANIFOLD EP303FH             | EA  | 1   | 37 | 1G53778 | MANIFOLD EP/AP TESTER                    | EA  | 1   |
| 15 | 1G52190 | LUBRICATOR FOR AIR MOTOR             | EA  | 1   | 38 | 1G0042  | VALVE 1/4 TURN 1/4 MALE X 1/4 FMLE BRASS | EA  | 1   |
| 16 | 1G53591 | ADP VLV UNLOADER                     | EA  | 1   | 39 | 1G0054  | SWIVEL CONN 1/4 MNPT X 1/4 FEMALE SWIVEL | EA  | 1   |
| 17 | 1G0291  | 1/2 BRASS ELBOW M/F                  | EA  | 1   | 40 | 1G0351  | PUMP HOSE TESTER                         | EA  | 1   |
| 18 | 1G51864 | SWIVEL MECH 1/2 (9205)               | EA  | 1   | 41 | 1G53779 | BRACE FILTER AP TESTER                   | EA  | 1   |
| 19 | 1G51823 | SOCKET HANSON 1/2 EP-303-FH          | EA  | 3   | 42 | 1G51648 | PIPE NIP BR 1/2 X 2                      | EA  | 1   |
| 20 | 1G0352  | UNLOADER VALVE HOSE TESTER           | EA  | 1   | 43 | 3G56234 | HOSE FILL TESTER HOSE AIR                | EA  | 1   |
| 21 | 1G51621 | PIPE ELB BR 1/4 FMLE                 | EA  | 1   | 44 | 3G56235 | HOSE PRESSURE TESTER HOSE AP             | EA  | 1   |
| 22 | 1G53780 | HEX NIPPLE 1/4 NPT                   | EA  | 1   | 45 | 1G53776 | PLATE ALUM PUMP AR                       | EA  | 2   |
| 23 | 1G0078  | ELBOW BRASS 45 DEGREE STREET 1/4 NPT | EA  | 1   |    |         |  |     |     |

|     |  |     |               |
|-----|--|-----|---------------|
| H   | REMOVED #10, CHANGED #46 TO #10, ADDED 1 TO #26      | C G | 2/10 06       |
| G   | CHANGED MANIFOLD & REMOVED (1) ITEM 8                | C G | 9/1 05        |
| F   | REMOVED ITEMS #11 & #38                              | C G | 9/1 05        |
| E   | REMOVED TORQUE ARM #39 & ADDED ALUM PLATES #39 & #41 | C G | 4/22 05       |
| REV | DRAWING CHANGE                                       | BY  | ECH. NO. DATE |

THIS DRAWING IS THE EXCLUSIVE AND CONFIDENTIAL PROPERTY OF GETZ EQUIPMENT INNOVATORS. IT SHALL NOT BE DUPLICATED, USED OR DISCLOSED TO OTHERS WITHOUT THE EXPRESS WRITTEN CONSENT OF GETZ EQUIPMENT.

|                           |  |                |  |                          |  |                                       |  |
|---------------------------|--|----------------|--|--------------------------|--|---------------------------------------|--|
| FRAC. ±.020               |  | 2 PL DEC ±.010 |  | 3 PL DEC ±.003           |  | TOLERANCES UNLESS OTHERWISE SPECIFIED |  |
| SHEET NO.                 |  | 3 OF 3         |  | BRN NO.                  |  |                                       |  |
| DWG. NO.                  |  | 4G58918-M4     |  | REV.                     |  | H                                     |  |
| GETZ EQUIPMENT INNOVATORS |  |                |  | PEKIN, ILLINOIS          |  |                                       |  |
| TITLE                     |  |                |  | PUMP AIR HYDRA W/TRI MAN |  |                                       |  |
| FINISH                    |  | DATE           |  | SCALE                    |  | 1/4"=1'                               |  |
| R.P.R.                    |  | 4-3-92         |  | MATERIAL                 |  | DWN BY                                |  |



NOTE: HANSEN B-54  
ADAPTER

NOTE: SMC 027-4F-4M-BT  
BALL VALVE

CAPS AVAILABLE

- 112 IPT C 1 1/2" IPT CAP WITH BALL VALVE
- 112 NST C 1 1/2" NST CAP WITH BALL VALVE
- 212 IPT C 2 1/2" IPT CAP WITH BALL VALVE
- 212 NST C 2 1/2" NST CAP WITH BALL VALVE

PLUGS AVAILABLE

- 112 IPT P 1 1/2" IPT PLUG WITH NIPPLE
- 112 NST P 1 1/2" NST PLUG WITH NIPPLE
- 212 IPT P 2 1/2" IPT PLUG WITH NIPPLE
- 212 NST P 2 1/2" NST PLUG WITH NIPPLE

THIS DRAWING IS THE EXCLUSIVE AND CONFIDENTIAL PROPERTY OF GETZ EQUIPMENT INNOVATORS. IT SHALL NOT BE DUPLICATED, USED OR DISCLOSED TO OTHERS WITHOUT THE EXPRESS WRITTEN CONSENT OF GETZ EQUIPMENT INNOVATORS.

|                                       |                |                |         |      |          |        |   |  |           |         |
|---------------------------------------|----------------|----------------|---------|------|----------|--------|---|--|-----------|---------|
| REV                                   | DRAWING CHANGE | BY             | ECN NO. | DATE | MATERIAL | FINISH |  |  | SHEET NO. | BIN NO. |
|                                       |                |                |         |      | DWN BY   | CK'D   |   |  | 1 OF 1    |         |
| TOLERANCES UNLESS OTHERWISE SPECIFIED |                |                |         |      | SCALE    | DATE   | TITLE   |  | DWG. NO.  | REV.    |
| FRAC. ±.020                           | 2 PL DEC ±.010 | 3 PL DEC ±.003 |         |      | 1/4"=1"  | 6-6-05 | CAP AND PLUG ASSY   |  | 112NST-2  |         |