

WEATHER-PROOF BATTERY UNIT

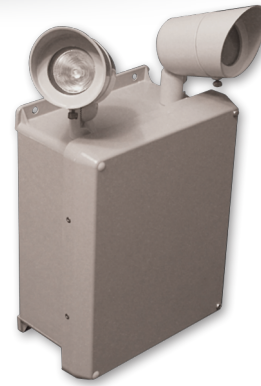
NEMA4X/EEMAC4X

6V, 12V or 24V Models

120/347VAC Input



Approvals:
CSA Certified to C22.2 #141



DESCRIPTION

The EBWP series of NEMA4X and EEMAC4X rated weatherproof battery units is designed to operate in the most extreme environments. The fully gasketed, reinforced, non-metallic housing features a hinged cover that secures with durable screw locks. The EBWP series is available in 6VDC, 12VDC and 24VDC versions in a range of wattage capacities between 36 and 720W, for 30 minutes duration.

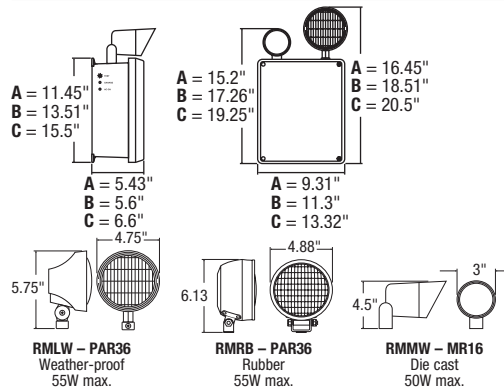
CIRCUITRY

- 120/347VAC 60Hz Input, field selectable
- High efficiency, rapid recovery, precision control charging system
- Liquid-tight, momentary push button test switch
- Diagnostic/pilot LEDs for AC ON and CHARGE
- Fully automatic, current limited charger
- Temperature compensated
- Large magnum terminal screw type connectors for remote load connection
- Complete battery recharge in 24 hours
- Maintenance free, sealed lead acid battery which will provide the specified wattage for 30 minutes duration
- Optional automatic-testing, self-diagnostic charger board

MECHANICAL

- Fully gasketed, reinforced, non-metallic housing - will not corrode or rust from water exposure
- 120VAC line cord with liquid-tight strain relief supplied standard
- Grey finish standard
- Lamp heads include weatherproof PAR36 large style, rubber PAR36 sealed beam and NEMA4X / EEMAC4X rated die cast metal MR16. Top head mounting is standard

DIMENSIONS



ORDERING GUIDE

Series	Voltage	Wattage	Head/Lamp	Lamp	Colour	Options†
EBWP	06 - 6VDC 12 - 12VDC 24 - 24VDC	See model rating below	0 - No Heads 1LW - One PAR36 2LW - Two PAR36 1RB - One Rubber PAR36 (SB) 2RB - Two Rubber PAR36 (SB)	1MW - One MR16 Weather-Proof 2MW - Two MR16 Weather-Proof	GRY - Grey	ATD, TDL*, LPD, BTD, VLT, AMP, ACT, DCT, FS4, HTR*, NLC, RDS*, TLP, CAB, TFC, WRG

† For detailed options descriptions, please consult the options page. * Specify AC voltage.

LAMP SELECTION

	6 Volts	12 Volts	24 Volts
PAR18 - Small head or LED Lamp			
Quartz halogen	08Q, 10Q, 12Q	08Q, 10Q, 12Q	12Q
Tungsten	09T	09T, 12T, 18T	09T, 18T
MR16 - Small head c/w MR16 or LED Lamp			
LED	4LR, 5LA	4LR, 5LA, 6LA, 7LA	4LR, 5LA, 6LA, 7LA
Quartz halogen	08Q, 10Q, 12Q, 20Q	08Q, 10Q, 12Q, 20Q, 35Q	10Q, 12Q
PAR36 - Large head			
Quartz halogen	08Q, 10Q, 12Q, 20Q	8Q, 10Q, 12Q, 20Q, 35Q	12Q, 20Q
Tungsten	09T, 18T, 25T	09T, 18T, 25T	09T, 18T, 25T
Quartz sealed beam	08SBQ, 10SBQ, 12SBQ, 20SBQ	08SBQ, 12SBQ, 35SBQ, 55SBQ	55SBQ, 70SBQ
Tungsten sealed beam	08SBT, 09SBT, 18SBT	25SBT	N/A

MODEL RATINGS

Model	Voltage	Wattage Capacities				Cabinet
		30 min.	60 min.	90 min.	120 min.	
EBWP06036	6V	36	18	12	9	A
EBWP06050	6V	50	25	16	12	A
EBWP06072	6V	72	36	24	18	A
EBWP06100	6V	100	50	33	25	A
EBWP06160	6V	160	80	53	40	B
EBWP06180	6V	180	90	60	45	B
EBWP12036	12V	36	18	12	9	A
EBWP12050	12V	50	25	16	12	A
EBWP12072	12V	72	36	24	18	A
EBWP12100	12V	100	50	33	25	A
EBWP12160	12V	160	80	53	40	B
EBWP12200	12V	200	100	66	50	B
EBWP12250	12V	250	125	83	62	B
EBWP12360	12V	360	180	120	90	C
EBWP24144	24V	144	72	48	36	B
EBWP24200	24V	200	100	66	50	B
EBWP24320	24V	320	160	106	80	B
EBWP24350	24V	350	175	117	88	B
EBWP24550	24V	550	275	184	138	C
EBWP24720	24V	720	360	240	180	C

NOTE: Due to cabinet/space limitations, not all options are available for all models in any given combination. Please consult with your factory representative regarding specific options and exact cabinet dimension information.