



MS-704U  
Yellow Single Action Manual  
Station



MS-703U  
Blue Single Action Manual  
Station

### Features

- Single Action
- Key resettable
- Terminal connectors
- Gold plated SPDT contacts
- High-gloss enamel in Blue and Yellow
- Normally Open or Normally Closed Alarm Contacts
- Meets ADA 5 lb. maximum manual-force

### Description

Mircom's MS-700U Emergency Manual Stations are high quality, die-cast metal manual stations that are designed to meet special use requirements. The MS-700U are designed for indoor and outdoor use.

Mircom's MS-700U Emergency Manual Stations consist of two models. The MS-703U and MS-704U are single action manual stations. The MS-703U is finished in a Blue enamel and the MS-704U is finished in a Yellow enamel.

Both models are available with key resets, CAT-30 lock and keys, SPDT contacts and terminal strip connections. The contacts are gold plated to avoid the risk of corrosion. The MS-700U Emergency Manual Stations mount on a standard single gang backbox.

### Operation

The MS-700U Single Action Emergency Manual Stations are operated by pulling down the handle marked "PULL HANDLE" on the front of the station.

The MS-700U Series Emergency Manual Stations are reset by opening the station with the key, placing the handle in the normal upright position and re-locking the station.



S7005



S7005



7150-1477:128



313-97-E

**CATALOG NUMBER**

**5165**

NOT TO BE USED FOR INSTALLATION PURPOSES.

Mircom reserves the right to make changes at any time without notice in prices, colours, materials, components, equipment, specifications and models and also to discontinue models.

## Specifications

### Switch Rating:

1 Amp @ 30 VDC  
0.1 Amp @ 125 VAC

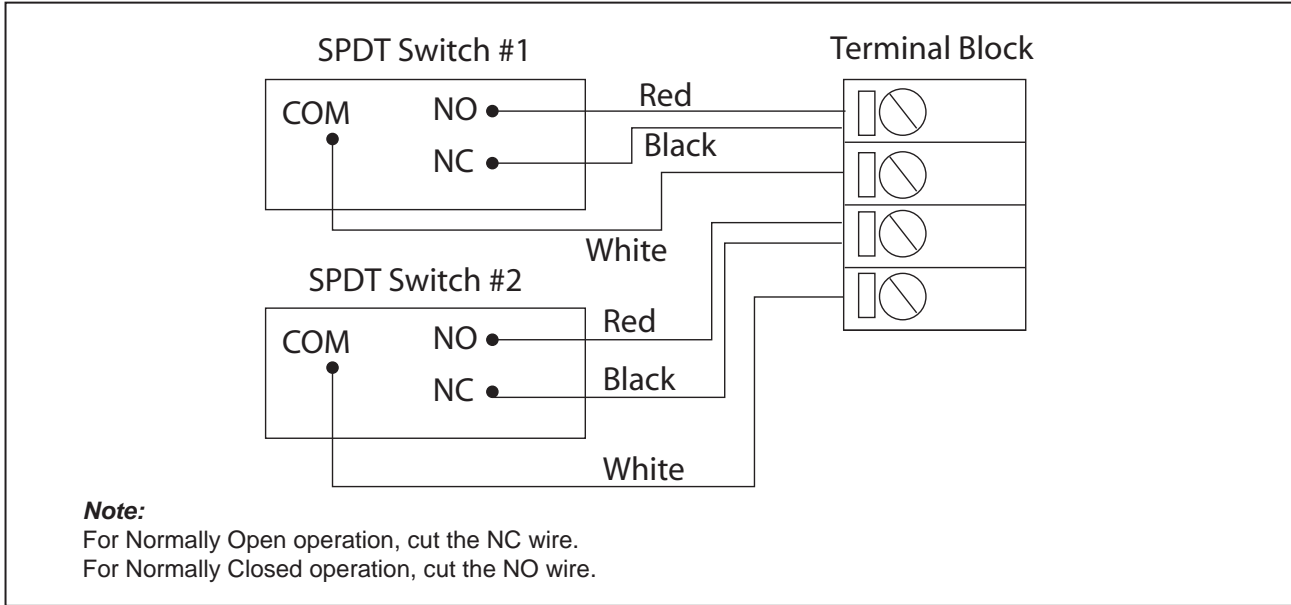
### Manual Station Dimensions:

4.9" H x 3.5" W x 2.0" D

### Colors:

Blue or Yellow with raised white letters.  
White manual bar with raised black letters.

## Typical Wiring Diagram



## Ordering Information

### Model

MS-703U  
MS-704U

### Description

Blue Single Action Emergency Manual Station c/w 2 Form "C" Contacts  
Yellow Single Action Emergency Manual Station c/w 2 Form "C" Contacts

NOT TO BE USED FOR INSTALLATION PURPOSES.



### Canada

25 Interchange Way  
Vaughan, Ontario L4K 5W3  
Telephone: (905) 660-4655  
Fax: (905) 660-4113

### U.S.A.

4575 Witmer Industrial Estates  
Niagara Falls, NY 14305  
Toll Free: (888) 660-4655  
Fax Toll Free: (888) 660-4113

Distributed by:

Web page: <http://www.mircom.com>

Email: [mail@mircom.com](mailto:mail@mircom.com)

ISO 9001:2008  
REGISTERED



CAT. 5165  
Rev. 3