



# 120V AC Plug-in Carbon Monoxide Alarm

with 9V Battery Backup



Part Number **900-0215-005** Model **KN-COB-LCB-CA**  
**10-Year Limited Warranty**

AC Plug-in Operated

9V Battery Backup

Test/Reset Button



## Description

The Kidde KN-COB-LCB-CA is a 120V AC powered, plug-in carbon monoxide alarm with battery backup, providing continuous protection, even during a power outage. The KN-COB-LCB-CA is an easy to install unit that provides reliable protection against the dangers of carbon monoxide.

The KN-COB-LCB-CA is suitable for all living areas and has a 10-year limited warranty.

## Features and Benefits

- **Test/Reset Button** – Tests the unit for proper operation. Resets the carbon monoxide alarm.
- **Tamper Resist Feature** – If activated, unit goes into constant alarm mode if it has been unplugged or has come loose from the outlet.
- **Low Battery Hush®** – Silences low battery chirp warning for up to twelve hours in order to maintain protection without having to replace the battery at an inconvenient time.
- **AC Plug-in Operated** – Easy to install – just plug into an AC wall outlet.
- **9V Battery Backup** – Provides continuous protection in case of a power failure.
- **End of Life Notification** – Ten (10) years after unit is first powered, this alarm will beep two times every 30 seconds to indicate it is time to replace the alarm.



CSA-6.19-01

## Architectural and Engineering Specifications

The carbon monoxide alarm shall be Kidde model KN-COB-LCB-CA or approved equal. It shall be powered by a 120V AC, 60Hz source along with a 9V battery backup. The temperature operating range shall be between 4.4°C (40°F) to 37.8°C (100°F) and the humidity operating range shall be 10%–95% relative humidity, non-condensing.

The CO sensor shall be of a fuel cell design and shall meet the sensitivity requirements of CAN/CSA 6.19-01 - Residential carbon monoxide alarming devices.

The alarm shall include an integral plug that can be installed in any electrical outlet following the Manufacturer's recommended guidelines. The unit shall have a green LED that will illuminate continuously and indicate that the CO alarm is receiving power and the alarm circuit is functioning.

The alarm shall include a Test/Reset button. If pressed and released during normal operation, it shall electronically simulate the presence of CO and cause the unit to go into alarm. This sequence tests the unit's electronics to ensure proper operation. If pressed during alarm mode, the unit will be silenced and will begin monitoring CO levels again.

The alarm shall include a Tamper Resist Feature. If activated, unit shall go into constant alarm mode, the unit shall go into constant alarm mode until the unit is replaced into the wall socket or the battery is removed.

The CO sensor will not alarm to levels of CO below 30 ppm and will alarm in the following time range when exposed to the corresponding levels of CO:  
70 ppm CO Concentration 60 – 240 minutes  
150 ppm CO Concentration 10 – 50 minutes  
400 ppm CO Concentration 4 – 15 minutes

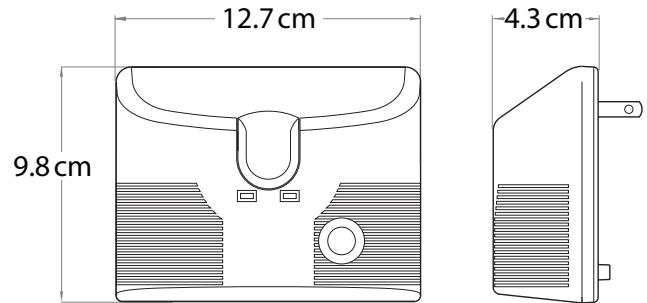
The alarm shall include a piezoelectric horn that is rated at 85 decibels at 10 feet. When the unit detects carbon monoxide, the alarm pattern will be four (4) short beeps – followed by five (5) seconds of silence – followed by four (4) short beeps.

The unit shall incorporate 2 LED's. A green LED will be illuminated to indicate the alarm is operating properly when plugged into an outlet, and will flash every 10 seconds when on backup battery power. A red LED will flash to indicate that carbon monoxide has been detected until the device is reset or CO is eliminated or will flash to indicate low battery or alarm malfunction.

The unit shall at a minimum meet the requirements of CAN/CSA 6.19-01. It shall also include a 10-year manufacturer's limited warranty.

## Technical Specifications

<b>Power Source:</b>	Three (3) AA batteries
<b>Sensor:</b>	Electrochemical
<b>Audio Alarm:</b>	85 dB at 10 ft
<b>Temperature Range:</b>	4.4°C (40°F) to 37.8°C (100°F)
<b>Humidity Range:</b>	10%-95% relative humidity, non-condensing
<b>Unit Size:</b>	12.7 cm width x 4.3 cm depth x 9.8 cm height
<b>Unit Weight:</b>	0.22 kg
<b>Interconnects:</b>	No
<b>Warranty:</b>	10-year limited



## Ordering Information

UPC: 0-47871-06395-6

Part Number	12 of 5	Pack Quantity	Case Dimensions (w x d x h centimeters)	Case Weight	Case/Skid
900-0215	100-47871-06395-3	6 units	45 cm x 21 cm x 30.5 cm	2.66 kg	36



Kidde Canada Inc.  
P.O. Box 40, Apsley, ON K0L 1A0  
1-800-880-6788  
www.kiddecanada.com

**Distributed by:**