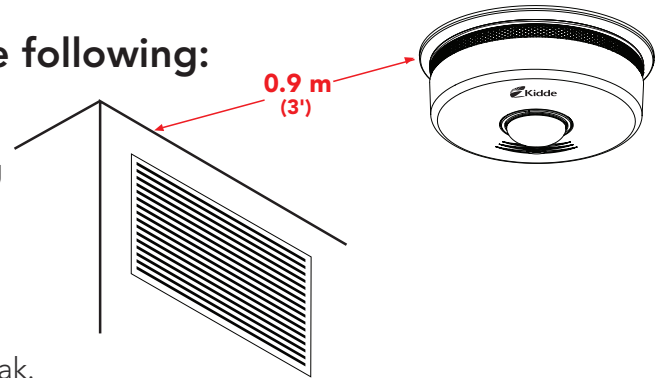


For Kidde P4010ACLEDSCA (2-in-1) & P4010ACLEDSCOCA (3-in-1) Strobe Alarms

1 Do not install within 3' (0.9 m) of the following:

- A bathroom that contains a tub or shower
- Forced air supply ducts used for heating or cooling
- Ceiling or whole house ventilating fans, or
- Cold air returns or other high air-flow areas

Also, when installing on vaulted ceilings, the edge of the unit must be at least 3 feet from peak.



Install alarms at least 12" (30.5 cm) away from fluorescent lights

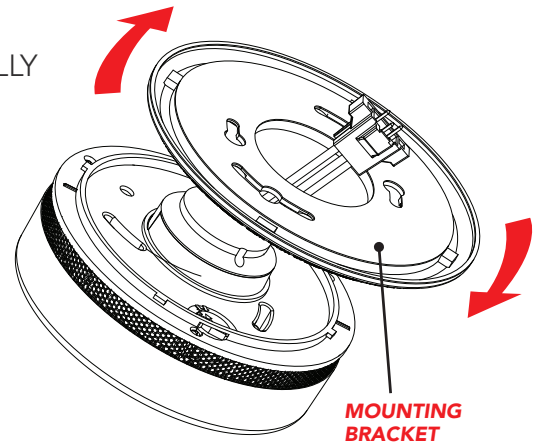
As electronic noise may cause nuisance alarms.

2 Activate the units before connecting to AC power

Before connecting to AC power, we recommend units be activated first thing out of the box. ROTATE THE UNIT FULLY onto the mounting bracket first, which will automatically activate the 10-year sealed battery backup. When fully rotated, you will hear a long "beep", followed by a verbal message to press the Test button.

NOTE: Attaching AC power first, without using or fully rotating the mounting bracket, will result in a low battery chirp, and voice message "Low Battery. Pile Faible."

IMPORTANT: Strobe will not flash without AC power.



3 Remove dust protection strip after ALL construction is complete

The units are now shipping with a new red dust protection strip to help to prevent dust particles from entering the alarm.

IMPORTANT: DO NOT REMOVE DUST PROTECTION STRIP UNTIL ALL CONSTRUCTION IS COMPLETE. IT MUST BE REMOVED PRIOR TO OCCUPANCY.

Please take a few minutes to read the user guide (included in each package) for more information.

