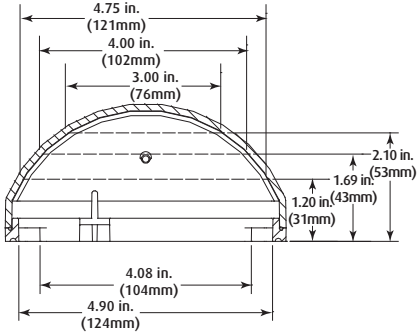


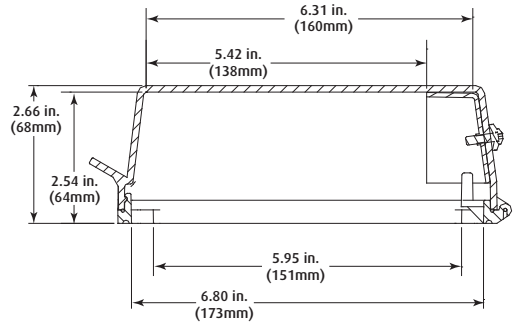
Product Dimensions

EXTERNAL DIMENSIONS

- FLUSH 5.4 W x 8.15 H x 2.66 in. D (137 x 207 x 68 mm)
- SURFACE 5.4 W x 8.15 H x 4.00 in. D (137 x 207 x 102 mm)
- ENCLOSED FLUSH BACK BOX 5.4 W x 8.15 H x 2.8 in. D (137 x 207 x 71 mm)
- ENCLOSED BACK BOX 5.4 W x 8.15 H x 4.00 in. D (137 x 207 x 102 mm)

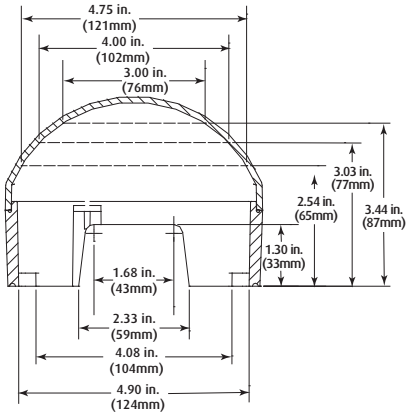


END VIEW

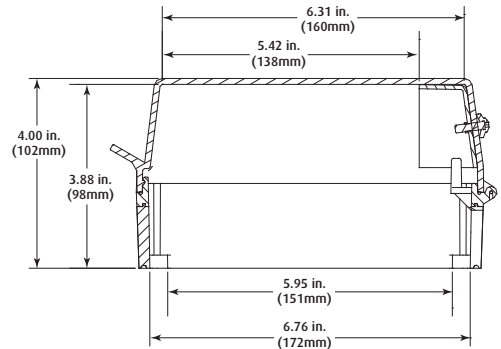


SIDE VIEW

FLUSH MOUNT DIMENSIONS

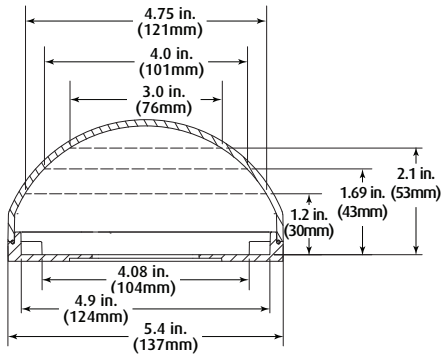


END VIEW

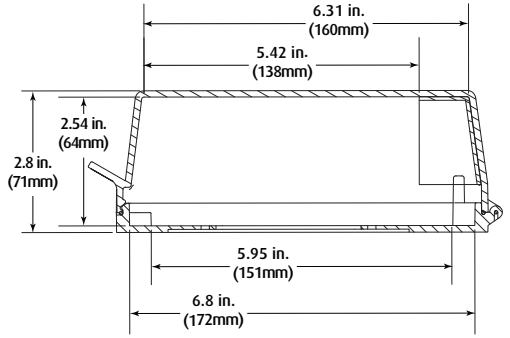


SIDE VIEW

SURFACE MOUNT DIMENSIONS

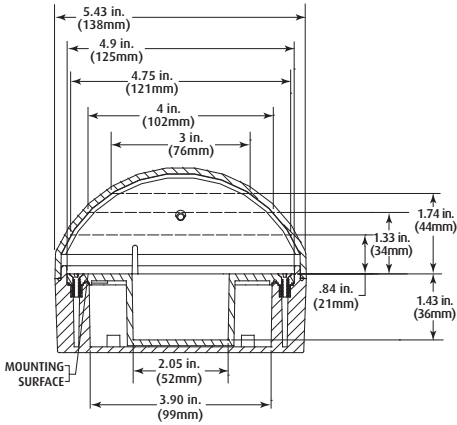


END VIEW

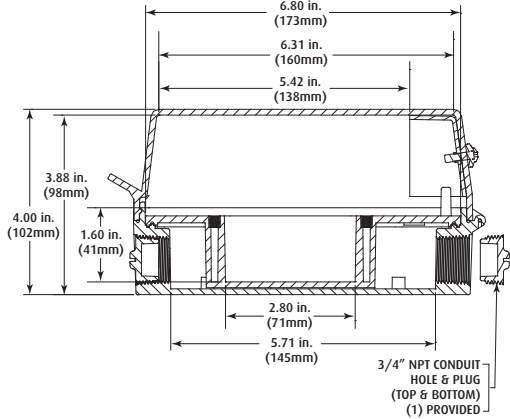


SIDE VIEW

ENCLOSED FLUSH BACK BOX DIMENSIONS



END VIEW



SIDE VIEW

ENCLOSED BACK BOX DIMENSIONS



Safety Technology International, Inc.

2306 Airport Rd • Waterford, MI 48327
 Phone: 248-673-9898 • Fax: 248-673-1246
 info@sti-usa.com • www.sti-usa.com

Safety Technology International (Europe) Ltd.

Unit 49G Pipers Road • Park Farm Industrial Estate • Redditch
 Worcestershire • B98 0HU • England • Tel: 44 (0) 1527 520 999
 Fax: 44 (0) 1527 501 999 • E-mail: info@sti-europe.com
 Web: www.sti-europe.com

