

ELITE Architectural and Extinguisher Cabinets

Durable, attractive & precision built - ELITE cabinets are an ideal choice for virtually any architectural specification. A wide variety of standard & custom sizes, as well as finishes, make this cabinet the industry standard.



Part# HCR1 – Recessed Hose and Extinguisher Cabinet 30" x 30" x 8"

Standard Construction Features:

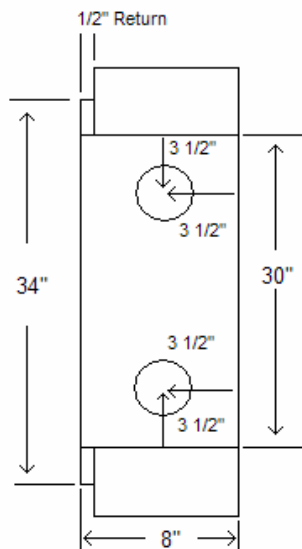
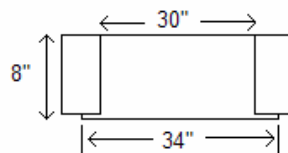
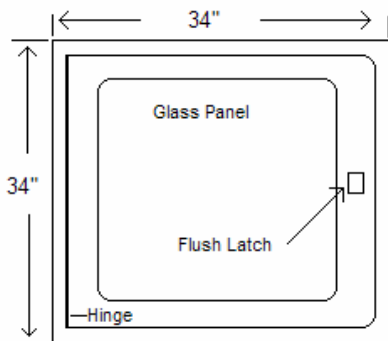
- Accommodates 1 ½" – 2 ½" valve plus 75' – 100' hose
- 5 – 10 LB dry chemical or pressure water
- ½" T.B. adjustable front
- Full glass viewing panel (Acrylic Front Sold Separately)
- Grey baked enamel finish
- 14 ga. Door & Trim, 18 ga. Tub
- Flush SS Paddle Latch
- Glass Clips Included

Options at Extra Cost

- Full metal doors
- Break glass door and lock
- Stainless steel adjustable front

Replacement Parts:

ITEM#	DESCRIPTION
A2626	Acrylic Front for Recessed Hose & Extgr Cabinet Viewing Panel
PL	Recessed Cabinet Paddle Latch, Stainless Steel (small)
CORBIN	Corbin Latch (Old Style)
GLASSCLIPS	Package of 8 replacement clips to hold glass/acrylic fronts



Part# HCR1
Glass 26" x 26" Not Included
Dimensions for 30 x 30 x 8
Recessed